

Assembly instructions, maintenance and safety information

Batch no.

Arben Top Deck

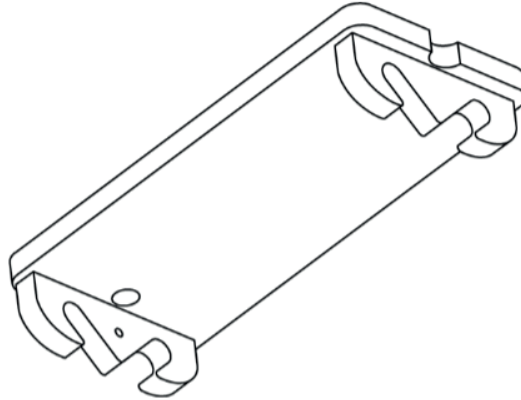
CE UK
CA



Triclimb®

Triclimb

Suitable for ages 0+ Weight limit 100kg



ENCOURAGE – ENHANCE – ENGAGE

Congratulations on the purchase of your Triclimb accessory. We hope that your children (and all the family) will have hours of fun playing with it! We would love to hear about your children's adventures and any feedback you may have.

We pride ourselves on the versatility, durability and safety of the Triclimb range.

The range has been created to encourage children to be active, imaginative and creative in their play, the Triclimb seeks to enhance balance, develop motor skills and engage both mind and muscle.

Benefits of Play: The Triclimb provides a surface designed for climbing which is intended for young children. Younger children are still developing a sense of judgement and learning the strength of their own bodies. They will be testing how far and how high they can jump and move. Their balance is still under development, and they are learning how to solve physical problems using their bodies. The Triclimb provides a chance to develop all sorts of skills appropriate to their age; climbing gives them the opportunity to test, retest and perfect their strength, coordination, self-confidence, concentration and independence.

CARE INSTRUCTIONS

Caring for your Triclimb product is not only essential for improving safety, but will also add years to its life for your children to play on and enjoy it as they grow.

WARNING: if the checks and maintenance of the Triclimb unit are not carried out the product could become a hazard.

*All bolts and fixings should be checked regularly and tightened if necessary.

*It is important to check your Triclimb product for wear and damage regularly. If you are unsure as to the integrity of any component, replace it immediately.

*We recommend that you regularly check your Triclimb product for splits, broken or cracked wood and for loose, missing or sharp-edged hardware. Replace, tighten and/or sand smooth as required prior to playing.

*The wooden components are manufactured from FSC birch plywood and solid timber poles; they are protected with a durable child/toy-safe finish.

*To clean, wipe with a damp cloth and mild detergent. Dry immediately. Leaving water or cleaning agent on the surface may damage the finish. Do not use abrasive cleansers.

* Do not modify the unit. Triclimb is not responsible for any injury arising as a result of modifications made by customers to our products without our supervision, testing, or evaluation.



WARNINGS

- * It is extremely important that you read and retain the information in this WARNINGS section to reduce the risk of injury.
- * Warning: contains small parts – choking hazard.
- * Children must be supervised at all times while using the Triclimb product range.
- * No running, pushing or fighting.
- * Only use the Triclimb for its intended purpose. For indoor use only, in a domestic setting.
- * Tip over hazard - Place play-frame on a level surface.
- * Do not allow children to play on the Triclimb frame until the unit is fully opened.
- * Keep floors free of trip hazards and observe an obstacle free safety zone of at least 2m in all directions around the unit.
- * To minimize risk of injury from falling, do not install over a hard surface; a protective surface should be used. Maximum vertical fall height - 600mm
- * Never allow children to play with ropes, clotheslines, pet leashes, cables, chains or cord-like items when using this play-frame or to attach these items to the play-frame.
- * Never allow children to wear loose fitting clothing, ponchos, hoods, scarves, capes, necklaces, items with draw-strings, cords or ties when using Triclimb products.
- * Do not allow children to wear open toe or heel footwear like sandals or flip-flops whilst climbing.
- * Do not permit rough play or use of equipment in a manner for which it was not intended. Jumping from the top, elevated rungs could be dangerous.
- * Observe capacity limitations of your play-frame - 1 user maximum.
- * Recommended age: 0 months – 5 years
- * Not suitable for children under 36 months until fully assembled – fall hazard and small parts – choking hazard. WARNING – periodically check thumb screws to make sure they are securely in place.
- * Do not use as a step stool to reach items in high level units.



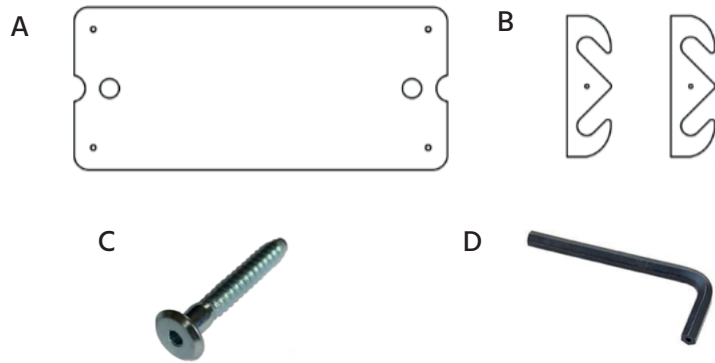
WARNING: ADULT ASSEMBLY IS REQUIRED

ASSEMBLY GUIDE

Warning: The accessory is intended to be assembled very easily. However, please read the information carefully before assembling your accessory and keep this guide for future reference. If any components are missing or damaged please contact Triclimb Ltd for a replacement before allowing your child to play.

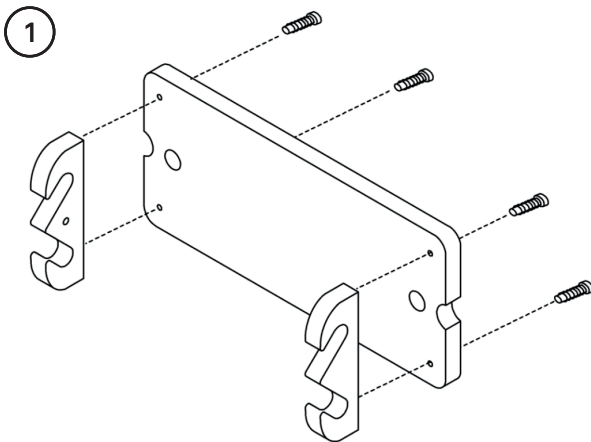
Contents

- (A) Top Deck surface x 1
- (B) Deck joint x 2
- (C) Screws (hex head) x 4
- (D) Hex head Allen key x 1



Tools needed:

Hex head Allen key (provided) | Check all parts are present.



Connect the part A to part B using screws (C).

Warning: Ensure the screw holes on the flat of part A face in towards the centre of part B.

Items required:

C x 4

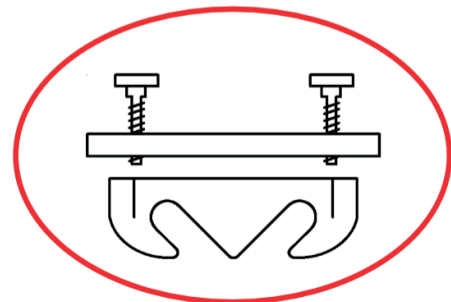
A x 1

B x 2

When used in conjunction with the Triclimb you will need the Arben Top Deck connected to the Triclimb (NOT the Pwt) Insert the accessory into one of the holes on the Top Deck. Align the thumb screw hole up and insert the screws in until be secures the accessory. You do not need to use the screw; it is possible to use the unit without the screw should you wish.

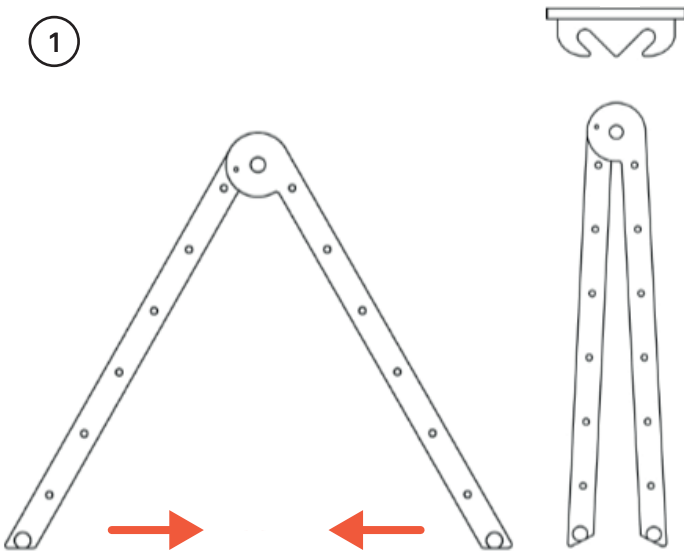
Tip: Screw all four screws in until they are just visible – about 3mm below the bottom surface of part A.

Then locate all screws in the corresponding hole in both part B's. Turn so part B is below part A. Fully insert all four screws.



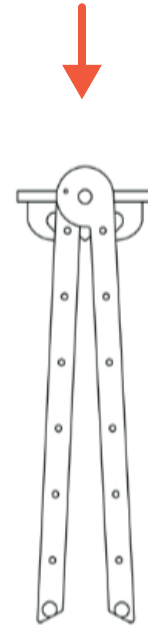
CONNECTING THE TWR BACH TO TRICLIMB/TRICLIMB MINI UNIT

1



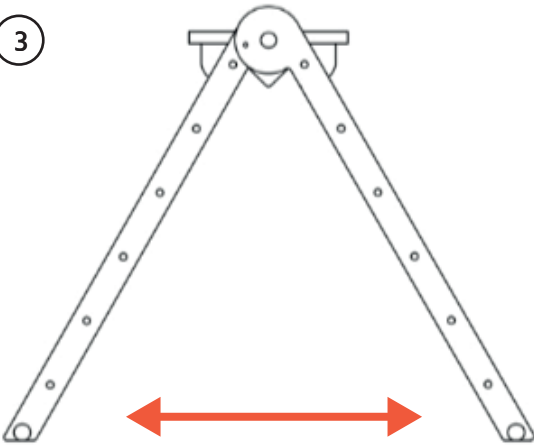
No tools are required. Simply fold the Triclimb until almost closed.

2



Set the top deck down onto the top two rungs and push down. Tip: You may need to slightly open the legs first. The top deck will locate using the top two rungs as a guide and lock into place.

3



Once the Triclimb is fully open place the two Triclimb thumbs screws back in place.

HOW TO USE WITH:

Triclimb

*When connected to the Triclimb the TOP DECK is compatible with the Miri, Biri, Archi and Wibli.

Triclimb Mini

*When connected to the Triclimb Mini the TOP DECK is compatible with the Miri, Archi and Wibli.

Independently

* When off the Triclimb the Enclosure can be turned upside down and used as a seat or table surface.

IPO - Registered design.
Model – ATD

Designed and Manufactured by Triclimb Ltd.
Triclimb Ltd. Ty Gelert, Porthmadog, LL499NX
Triclimb NI, PO Box 620, CRAIGAVON BT64 9EL

www.triclimb.co.uk hello@triclimb.co.uk

**IMPORTANT! These instructions must be followed for safe assembly and use.
Please retain for future reference. 2021 V1**

UKCA, EU, ASTM, CPSC, ISO, SOR tested and approved

