

Assembly instructions, maintenance and safety information

Batch no.



Triclimb Pwt

CE UK
CA

Triclimb®

Triclimb

Triclimb Pwt

Suitable for ages 0+ | Weight limit – 100kg



ENCOURAGE – ENHANCE – ENGAGE

Created to encourage children to be active, imaginative and creative in their play, the Triclimb seeks to enhance balance, develop motor skills and engage both mind and muscle.

Benefits of Play: The Triclimb provides a surface designed for climbing which is intended for young children. Younger children are still developing a sense of judgement and learning the strength of their own bodies. They will be testing how far and how high they can jump and move. Their balance is still under development, and they are learning how to solve physical problems using their bodies. The Triclimb provides a chance to develop all sorts of skills appropriate to their age; climbing gives them the opportunity to test, retest and perfect their strength, coordination, self-confidence, concentration and independence.

CARE INSTRUCTIONS

Caring for your Triclimb Pwt is not only essential for ensuring safety, but will also add years to its life for your children to play on and enjoy it as they grow.

WARNING: if the checks and maintenance of the Triclimb are not carried out the activity toy could overturn or otherwise become a hazard.

*All bolts and fixings should be checked regularly and tightened if necessary.

*It is important to check your Triclimb for wear and damage regularly. If you are unsure as to the integrity of any component, replace it immediately.

*We recommend that you regularly check your climbing frame for splits, broken or cracked wood and for loose, missing or sharp-edged hardware. Replace, tighten and/or sand smooth as required prior to playing.

*The wooden components are manufactured from FSC birch plywood and solid timber poles; they are protected with a durable child/toy-safe finish.

*To clean, wipe with a damp cloth and mild detergent. Dry immediately. Leaving water or cleaning agent on the surface may damage the finish. Do not use abrasive cleansers.

* Do not modify the unit. Triclimb is not responsible for any injury arising as a result of modifications made by customers to our products without our supervision, testing, or evaluation.



WARNINGS

- *It is extremely important that you read and retain the information in this WARNINGS section to reduce the risk of injury.
- *Warning: contains small parts – choking hazard.
- *Children must be supervised at all times while using the Triclimb.
- *No running, pushing or fighting.
- *Only use the Triclimb for its intended purpose. For indoor use only, in a domestic setting.
- *Tip over hazard - Place play-frame on a level surface.
- *Do not allow children to play on the Triclimb frame until the unit is fully opened.
- *Keep floors free of trip hazards and observe an obstacle free safety zone of at least 2m in all directions around the unit.
- *To minimize risk of injury from falling, do not install over a hard surface; a protective surface should be used. Maximum vertical fall height - 400mm
- *Never allow children to play with ropes, clotheslines, pet leashes, cables, chains or cord-like items when using this play-frame or to attach these items to the play-frame.
- *Never allow children to wear loose fitting clothing, ponchos, hoods, scarves, capes, necklaces, items with draw-strings, cords or ties when using this Triclimb
- *Do not allow children to wear open toe or heel footwear like sandals or flip-flops whilst climbing.
- *Do not permit rough play or use of equipment in a manner for which it was not intended. Jumping from the top, elevated rungs could be dangerous.
- *Observe capacity limitations of your play-frame - 1 user maximum.
- *Recommended age: 0 months – 5 years
- *Weight limit – 100kg
- *Not suitable for children under 36 months until fully assembled – fall hazard and small parts – choking hazard.
- *Risk of entrapment when folding. Never allow children to open and close the frame – ensure the thumb screws are secure both in the open position and the folded position. WARNING – periodically check thumb screws to make sure they are securely in place.



WARNING: ADULT ASSEMBLY IS REQUIRED

ASSEMBLY GUIDE

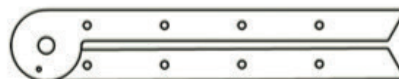
Contents

- (A)** Climbing Rungs x 8
- (B)** Leg sets (assembled) x 2
- (C)** Flat head screws (hex head) x 16
- (D)** Thumb screws x 2
- (E)** Hex head Allen key x 1

A



B



C



D



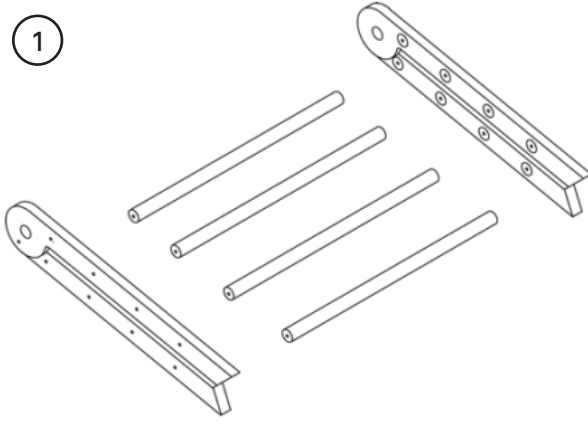
E



Tools needed:

- Hex head Allen key (provided)
- Check all parts are present.

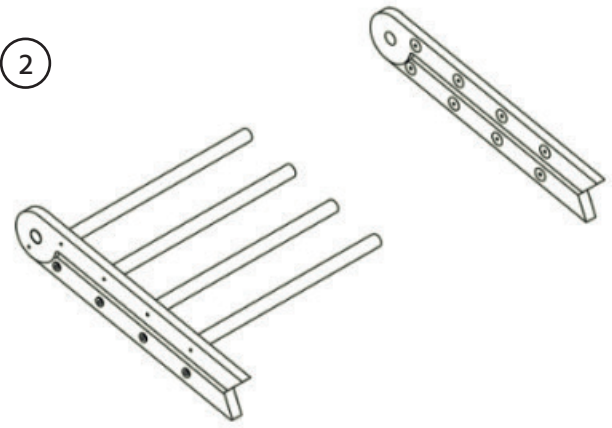
1



Lay out the leg assemblies and four of the rungs roughly as above. Place the legs with the larger holes facing inwards.

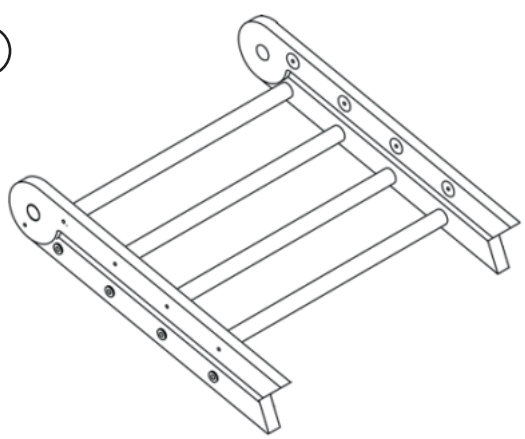
Items required:
A x 4
B x 2

2



Insert rungs into recessed holes on one side. Insert flat head screws (C) and tighten using the hex key provided.
Items required:
C x 4

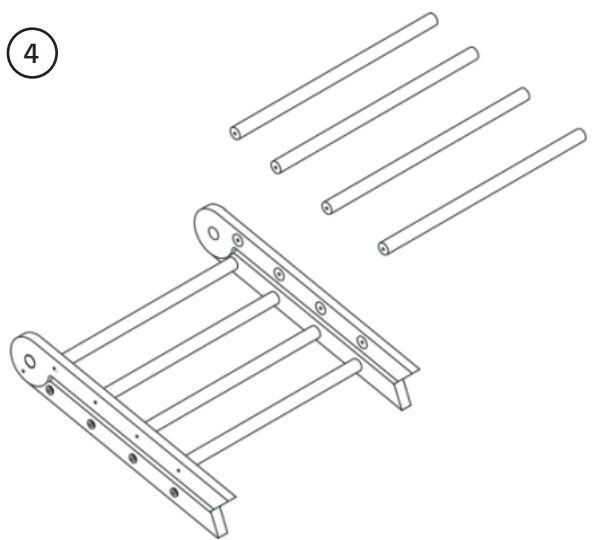
3



Repeat Step 2 on the opposite side.

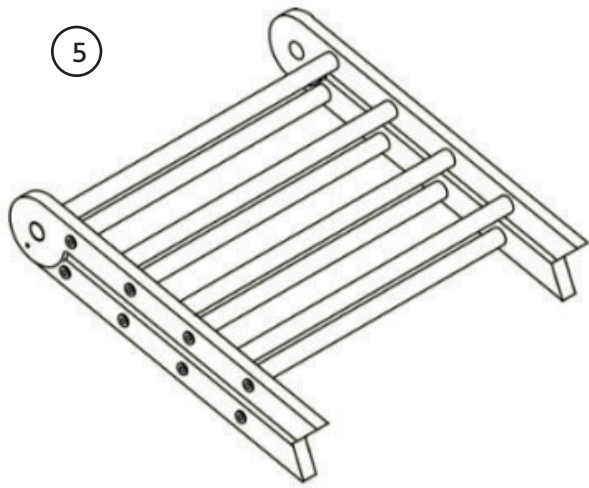
Items required:
C x 4

4



Using the remaining rungs, repeat step 2.

Items required:
C x 4



Repeat step 3 on the opposite side.

Items required:
C x 4

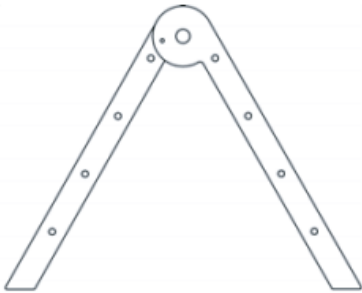
6

Ensure all rungs are securely inserted into leg recesses and that flat head screws (C) are screwed tightly and tight to the legs. Tightening the screws requires significant strength.

7

Open the Triclimb frame and stand it up. The frame may rock slightly, which is normal. Place your hands at the top of the A frame and press down firmly. This will help to square up the frame. You may need to rock the frame back and forth a few times while applying downward pressure on the frame to ensure the ends of all four legs sit flat on the floor and that the unit does not rock when the pressure is released.

CHECK POINT

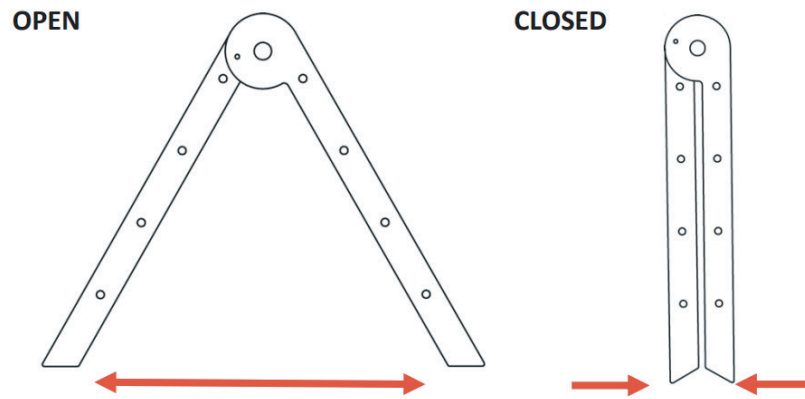


What to do if your Triclimb still does not sit flat on the ground?
You will need a book (or something similar) about 40mm thick to act as a raiser.

- 1) Open the Triclimb frame and insert the thumb screws.
- 2) Place the book or similar under one of the two opposing legs that are flat to the ground.
- 3) Push down on the top joints. You may hear a creaking sound - do not be alarmed, this is just the moving into correct alignment.
- 4) Remove the book or similar (if rocking remains repeat adding further height to the raiser until the frame aligns).
- 5) You should now have a correctly aligned frame.

If there is still a slight wobble, simply increase the size of the raiser and repeat step 2 and 3.

OPENING AND CLOSING



Your Triclimb includes two thumb screws that are designed to lock the product in an open or closed position.
To open the Tri Climb:

- 1) Fully unscrew and remove both thumb screws from the sides of the unit
 - 2) Holding the unit at the bottom edges, carefully open the unit. The mechanism may be stiff, which is by design to prevent accidental opening / closing
 - 3) Once fully open, replace both thumb screws into the unit prior to use.
- Closing the unit is the reverse of opening.

IPO - Registered design.

Model - P

Designed and Manufactured by Triclimb Ltd,
Triclimb Ltd. Ty Gelert, Porthmadog, LL499NX
Triclimb NI, PO Box 620, CRAIGAVON BT64 9EL

www.triclimb.co.uk hello@triclimb.co.uk

**IMPORTANT! These instructions must be followed for safe assembly and use.
Please retain for future reference. 2021 V1**