

Assembly instructions, maintenance and safety information

Batch no.

Arben Tŵr Bach



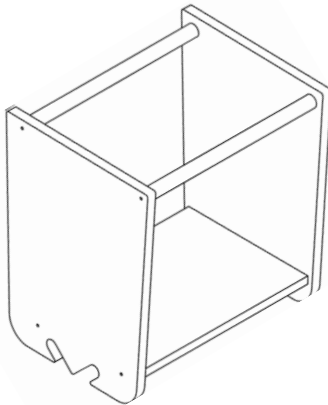
Triclimb®



Triclimb - Tŵr Bach

GB - ASSEMBLY INSTRUCTIONS, MAINTENANCE AND SAFETY INFORMATION

Suitable for ages 0+ Weight limit – 100kg



ENCOURAGE – ENHANCE – ENGAGE

Congratulations on the purchase of your Triclimb accessory. We hope that your children (and all the family) will have hours of fun playing with it! We would love to hear about your children's adventures and any feedback you may have. We pride ourselves on the versatility, durability and safety of the Triclimb range.

The range has been created to encourage children to be active, imaginative and creative in their play, the Tri Climber seeks to enhance balance, develop motor skills and engage both mind and muscle.

Benefits of Play: The Triclimb provides a surface designed for climbing which is intended for young children. Younger children are still developing a sense of judgement and learning the strength of their own bodies. They will be testing how far and how high they can jump and move. Their balance is still under development, and they are learning how to solve physical problems using their bodies. The Triclimb provides a chance to develop all sorts of skills appropriate to their age; climbing gives them the opportunity to test, retest and perfect their strength, coordination, self-confidence, concentration and independence.

Triclimb - Tŵr Bach Accessory

Welcome to the Triclimb Tŵr Bach accessory pack. We hope this base will further inspire your children to create many play experiences. It can be used in a multitude of open-ended ways. Quite apart from all the opportunities for climbing the Tŵr Bach taps into children's creativity, and into their appetites for inventing imaginative play.

The Tŵr Bach has been designed in conjunction with the Triclimb and Triclimb Pwt. It connects to both using a unique joint which simply locks to the top rungs of the Triclimb. You will not need any tools to connect the two together.

The Tŵr Bach has been designed with furniture principles of play. It transforms the Triclimb unit into many things, an enclosed top deck, a seat, a desk a kitchen helper the possibilities are truly open ended.

CARE INSTRUCTIONS

Caring for your Triclimb product is not only essential for improving safety, but will also add years to its life for your children to play on and enjoy it as they grow.



WARNING: if the checks and maintenance of the Triclimb unit are not carried out the product could overturn or otherwise become a hazard.

- * All bolts and fixings should be checked regularly and tightened if necessary.
- * It is important to check your Triclimb product for wear and damage regularly. If you are unsure as to the integrity of any component, replace it immediately.
- * We recommend that you regularly check your Triclimb product for splits, broken or cracked wood and for loose, missing or sharp-edged hardware. Replace, tighten and/or sand smooth as required prior to playing.
- * The wooden components are manufactured from FSC birch plywood and solid timber poles; they are protected with a durable child/toy-safe finish.
- * To clean, wipe with a damp cloth and mild detergent. Dry immediately. Leaving water or cleaning agent on the surface may damage the finish. Do not use abrasive cleansers.
- * Do not modify the unit. Triclimb is not responsible for any injury arising as a result of modifications made by customers to our products without our supervision, testing, or evaluation.



WARNINGS

- * It is extremely important that you read and retain the information in this **WARNINGS** section to reduce the risk of injury.
- * Warning: contains small parts – choking hazard.
- * Children must be supervised at all times while using the Triclimb product range.
- * No running, pushing or fighting.
- * Only use the Triclimb for its intended purpose. **For indoor use only**, in a domestic setting.
- * Tip over hazard - Place play-frame on a level surface.
- * Do not allow children to play on the Triclimb frame until the unit is fully opened.
- * Keep floors free of trip hazards and observe an obstacle free safety zone of at least 2m in all directions around the unit.
- * To minimize risk of injury from falling, do not install over a hard surface; a protective surface should be used.
- * Never allow children to play with ropes, clotheslines, pet leashes, cables, chains or cord-like items when using this play-frame or to attach these items to the play-frame.
- * Never allow children to wear loose fitting clothing, ponchos, hoods, scarves, capes, necklaces, items with draw-strings, cords or ties when using Triclimb products.
- * Do not allow children to wear open toe or heel footwear like sandals or flip-flops whilst climbing.
- * Do not permit rough play or use of equipment in a manner for which it was not intended. Jumping from the top, elevated rungs could be dangerous.
- * Observe capacity limitations of your play-frame - 1 user maximum.
- * Recommended age: 0 months – 5 years
- * Weight limit – 100kg
- * Not suitable for children under 36 months until fully assembled – fall hazard and small parts – choking hazard.
- * Risk of entrapment when folding. Never allow children to open and close the frame – ensure the thumb screws are secure both in the open position and the folded position. **WARNING** – periodically check thumb screws to make sure they are securely in place.
- * Do not use as a step stool to reach items in high level units.



WARNING: ADULT ASSEMBLY IS REQUIRED – USE UNDER ADULT SUPERVISION

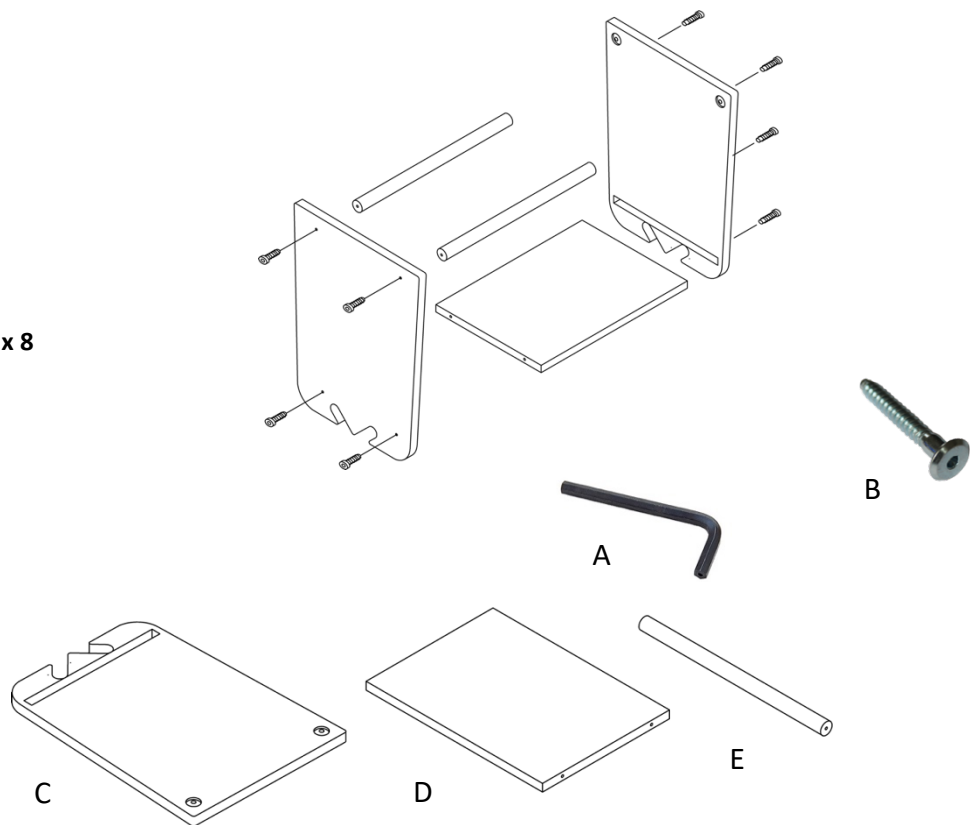
ASSEMBLY GUIDE

Parts:

- A – Hex head Allen key x 1
- B – Flat head screws (hex head) x 8
- C – Sides x 2
- D – Base x 1
- E – Poles x 2

Tools needed:

Hex head Allen key (provided)
Check all parts are present.

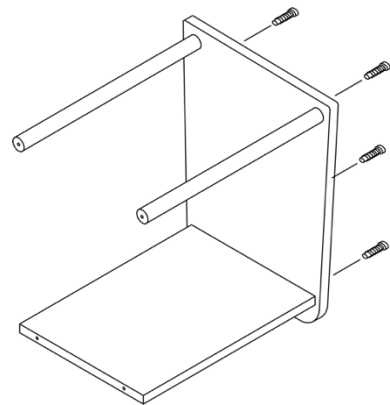


STEP 1

Connect the poles (E) to one side (C) using screws (B).

Items required:

- B x 2
- C x 1
- D x 2



STEP 2

Insert the base (D) into the corresponding groove on the side (C). Insert the screws x 2 (B) to secure the base to the side.

Items required:

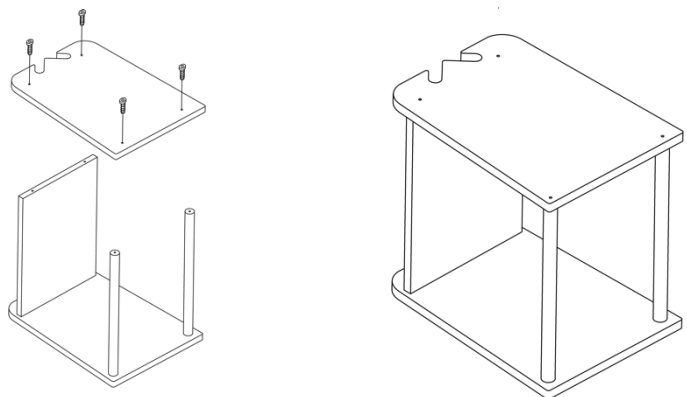
- B x 2
- D x 1

STEP 3

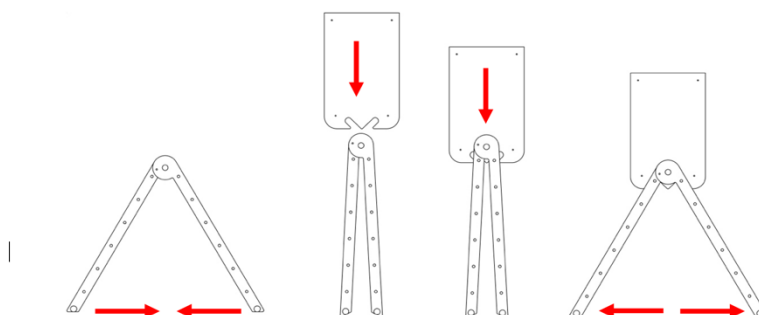
Turn on its side and line the second side (C) up with the corresponding holes. Insert the remaining 4 screws (B).

Items required:

- B x 4
- C x 1



CONNECTING THE TOP DECK TO TRICLIMB/TRICLIMB PWT UNIT



STEP 1

No tools are required. Simply close the Triclimb to almost closed.

STEP 2

Set the Tŵr Bach down onto the top two rungs and push down. Tip: You may need to slightly open the legs first. The Tŵr Bach will locate using the top two rungs as a guide and lock into place.

STEP 3

Once the Triclimb is fully open place the two Triclimb thumbs screws back in place.

HOW TO USE WITH:

Triclimb

*When connected to the Triclimb the Tŵr Bach is compatible with the Miri, Biri, Archi and Wibli.

Triclimb Pwt

*When connected to the Triclimb Pwt the Tŵr Bach is compatible with the Miri, Archi and Wibli.

*Can also be used as a kitchen helper - The Tŵr Bach combined with the Triclimb Pwt provides the perfect space for very young inspired cooks to get busy in the kitchen. The position of the Tŵr Bach provides the perfect space – large enough to manoeuvre in an open yet secure environment the back-support bar helps to prevent a misplaced backwards step. The rungs of the Triclimb act as the perfect way for even the very youngest of climbers to climb in and out unaided – thereby help to encourage a real independence in the kitchen.



Warning: The Tŵr Bach when used as a kitchen helper is not designed to be used as a step stool, it is simply an enclosed space designed to enable very young children to get involved in simple play tasks at a low level counter/table surface level to encourage independence whilst at play.

Independently

* When off the Triclimb the Tŵr Bach can be turned upside down and used as a seat or table surface.



Warning: The accessory is intended to be assembled very easily. However, please read the information carefully before assembling your accessory and keep this guide for future reference. If any components are missing or damaged please contact Triclimb Ltd for a replacement before allowing your child to play.

IPO - Registered design.

Model – TB

Designed and Manufactured by Triclimb Ltd,
Ty Gelert, Penamser Road, Porthmadog, Gwynedd, LL499NX, Wales UK

www.triclimb.co.uk hello@triclimb.co.uk

IMPORTANT! These instructions must be followed for safe assembly and use. Please retain for future Ref. 2022 V1